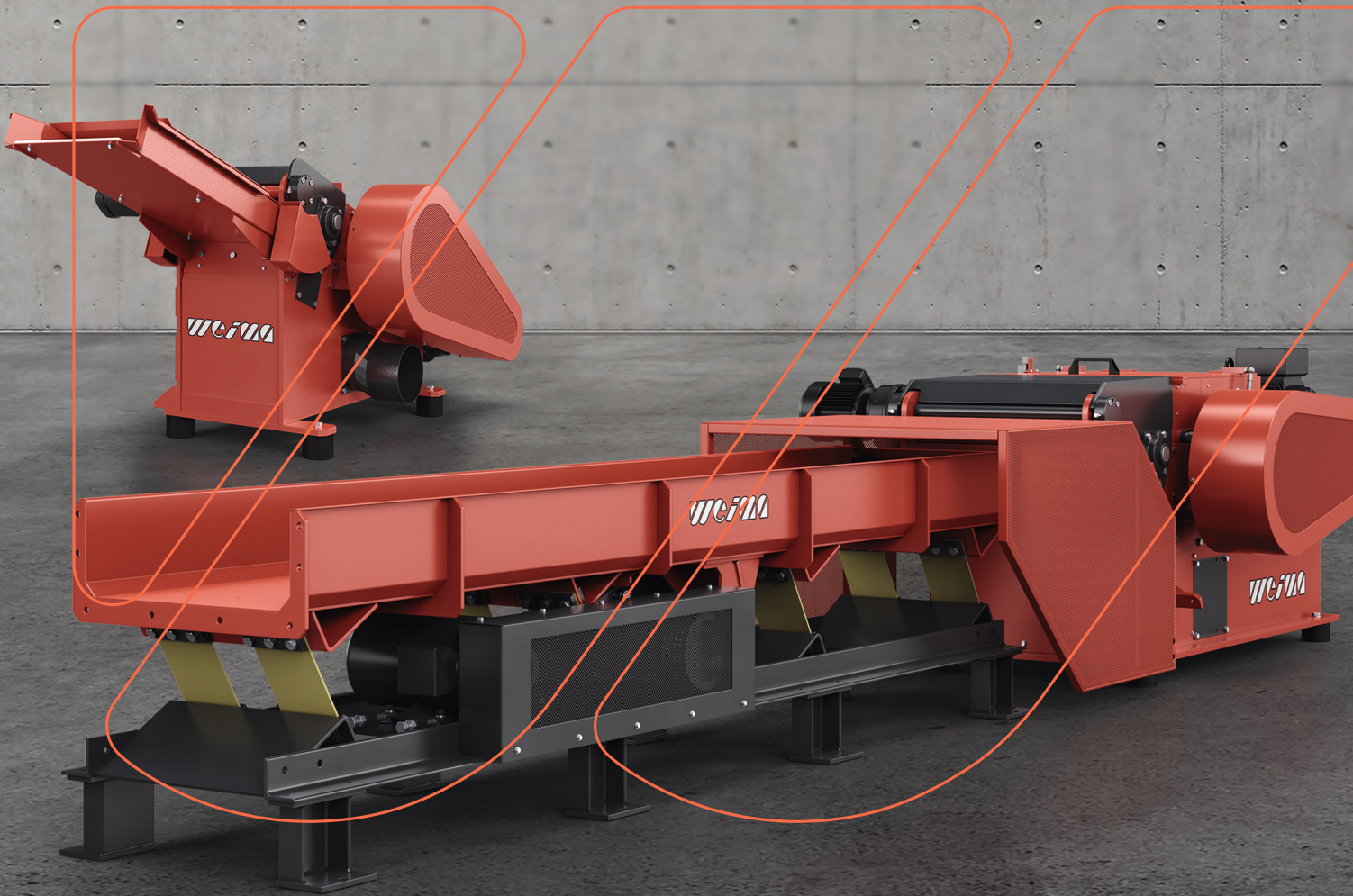


wcim

SHREDDING + COMPRESSING



**WLH SERIES
HORIZONTAL SHREDDERS**

TECHNICAL HIGHLIGHTS



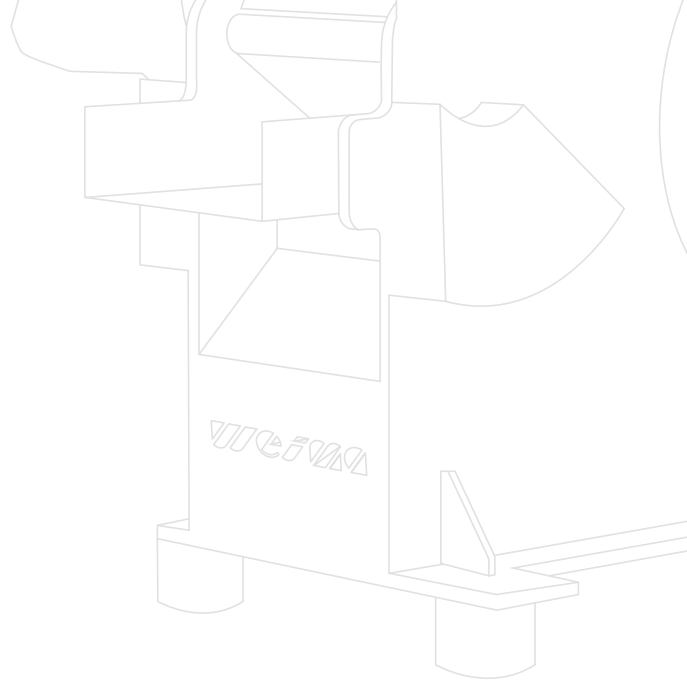
Optimal shredding results with energy-efficient Siemens PLC control system

The Siemens PLC control system installed in the separate control cabinet regulates all processes of a horizontal shredder and can be individually configured for each application. This guarantees consistently high-quality throughput material of homogeneous size - ideal for further processing. If required, horizontal shredders can of course also be integrated into a fully automatic production line.



Powerful and low-maintenance drive via electric motor and V-belt

An electromechanical drive with V-belt is used to drive the V rotor installed inside the machine. It can be maintained in a user-friendly manner and is characterized by its proven technology combined with high throughput. The absence of a gearbox or clutch also ensures low wear.

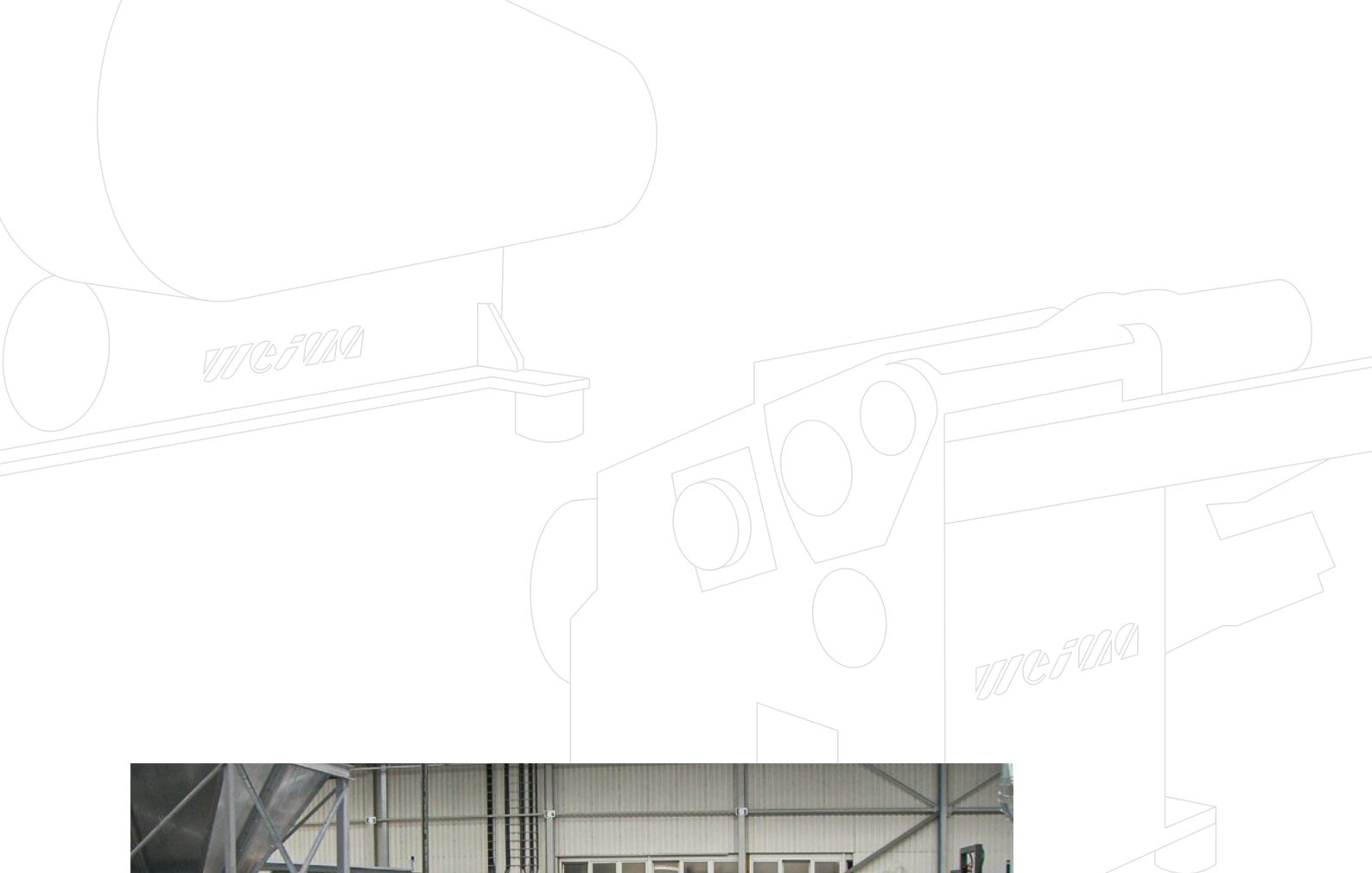


Oversized scrap? No problem.

Extra-large shredders

Long or wide waste materials, such as panel cuttings, often have a width that is simply too large for standard shredders. For this reason, WEIMA offers the Jumbo versions of the Tiger machines as the right solution for large-sized materials in XL format up to 1,600 mm working width. They not only have a wider feed opening, but also an enlarged rotor diameter of up to 500 mm for even more throughput.

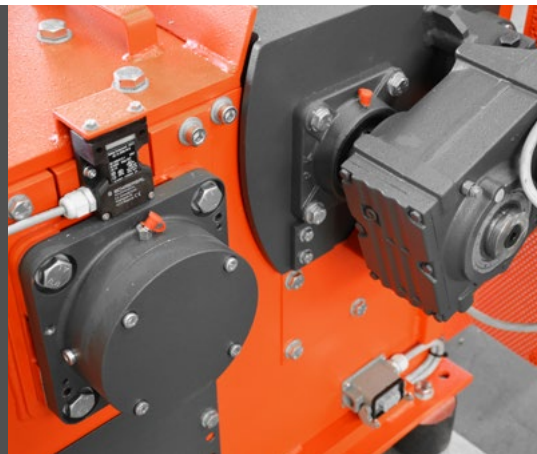




ROBUST MACHINE DESIGN

including offset rotor bearings

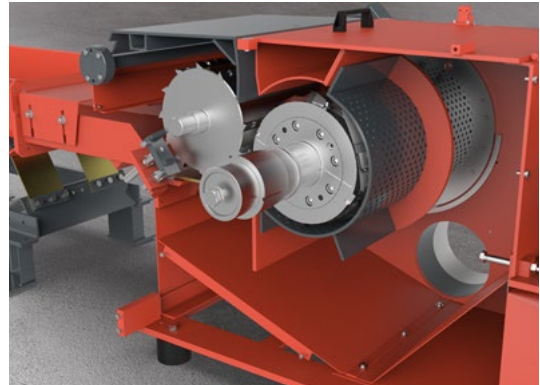
WEIMA horizontal shredders are not only particularly compact, but above all, robustly built. Rotor bearings that are offset from the machine frame are insensitive to dust, easy to maintain and durable.



TECHNICAL HIGHLIGHTS

Homogeneous material sizes thanks to exchangeable screen with round holes

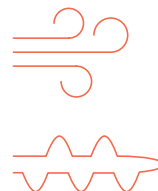
Screwed underneath the rotor is a round hole screen, which can be replaced as required by a screen with a larger or smaller hole diameter in the range 10 - 80 mm. Material is shredded by the rotor until it fits through the hole openings, falls through, and is finally suctioned off. This guarantees a particularly homogeneous material for each individual requirement.



Achieve high throughput rates

with innovative V rotor and feed roller

The cutting geometry of a shredder has a significant influence on the shredding result and the output quantity. WEIMA horizontal shredders are optimally equipped due to the aggressive, controlled material intake by means of an infeed roller and the use of two rows of rotor knives. Thus, a high throughput is achievable even with comparatively low power requirements. Wear on the cutting knives is minimal. If necessary, they can be turned and replaced.



Continuous material discharge by suction or screw conveyor

The material can be discharged from the side or rear of the machine, as required. As a rule, the shredded material is extracted via a suction nozzle and transported to a central silo. However, a screw auger can also be used as an option. Thanks to the closed system, dust emission is particularly low, which reduces the risk of explosion.



Disposal on the spot directly at the machine

In many day-to-day activities, scraps or offcuts of wood or plastic accumulate directly at the workstation. This is also the case, for example, with panel or sliding table saws. Instead of collecting them separately and transporting them away, we recommend placing a horizontal shredder directly next to the machine. Waste can then be disposed of immediately and without additional effort.

SAFE MATERIAL FEEDING OF LONG PARTS

via horizontal vibratory conveyor

While the Beaver machines are fed directly via a manual inclined feeder, the WLH and Tiger shredders use a vibrating infeed conveyor to feed the material. It is available in various lengths (up to 40 m) and transports long strips, profiles or pipes to the infeed roller located in front of the rotor. The roller picks up the material to be shredded and transports it horizontally to the rotor, where it is shredded between the cutting knives and counter knives. The horizontal machine design simplifies material handling of long pieces. Compared to shredders with a classic hopper, the material cannot jump out in an uncontrolled manner, which significantly increases safety.



The background image shows a modern industrial production line. In the foreground, a large orange shredder with a prominent orange safety grille is visible. The brand name 'weim' is printed on a black component of the machine. Behind the shredder, a conveyor system with orange rollers is transporting a long, thin white sheet of material. In the upper left, an orange robotic arm is positioned over the conveyor. The background features yellow safety railings and other industrial equipment, creating a complex factory environment.

SEAMLESS INTEGRATION INTO PRODUCTION LINES

through automated operating mode

If you want to increase efficiency in production, you also need to keep an eye on and optimize waste management. Horizontal shredders are ideally suited for use in state-of-the-art production lines thanks to their compact design and the availability of all data interfaces commonly used today. In addition, they can be operated fully automatically. Modern shredders not only reduce the volume of waste and improve material flow without manual intervention, but also reduce the cost of intralogistics. In addition, your shop floor becomes safer and cleaner.

TECHNICAL DATA

● Technical data horizontal shredders

	Beaver 400	WLH 300	WLH 400	WLH 600	Tiger 400 S	Tiger 600 S	Tiger 800 S	Tiger 1000 S	Tiger 1300 S	Tiger 800 Jumbo	Tiger 1000 Jumbo
Feed opening length [mm]	400	300	400	600	400	600	800	1,000	1,300	800	1,000
Feed opening height [mm]	40	70	70	70	120	120	120	120	120	180	180
Rotor diameter [mm]	260	260	260	260	370	370	370	370	370	490	490
Power [kW]	15 18,5	15	18,5 20	22 30	22 30	30 37	30 37 45	45 55	45 55 75	45 55 75 90	75 90
Rotor knives [pcs]	18	14	18	32	22	32	44	56	70	66	84
Screen size [mm]	10-100	10-100	10-100	10-100	10-100	10-100	10-100	10-100	10-100	10-100	10-100
Length [mm]	2,180	2,350	2,350	2,350	2,750	2,750	2,750	2,750	2,750	3,350	3,350
Width with one infeed roller [mm]	1,185	1,100	1,300	1,500	1,350	1,550	1,750	1,950	2,250	1,850	2,050
Width with two infeed rollers [mm]	-	1,250	1,450	1,650	1,500	1,700	1,900	2,100	2,400	2,000	2,200
Height [mm]	1,085	800	800	800	1,000	1,000	1,100	1,100	1,100	1,500	1,500
Weight [approx. kg]	1,000	900	1,100	1,300	1,600	2,100	2,600	3,500	4,000	4,600	5,900

Other variations, special equipment, and technical modifications available on request.



WEIMA Maschinenbau GmbH | weima.com

Bustadt 6-10 | 74360 Ilsfeld (Germany) | Phone: +49 (0)70 62 95 70-0 | Fax: +49 (0)70 62 95 70-92 | info@weima.com

Subject to technical changes | 01082021